



UNIQUE SOUND Co., Ltd

# MODEL No. : US-3750C

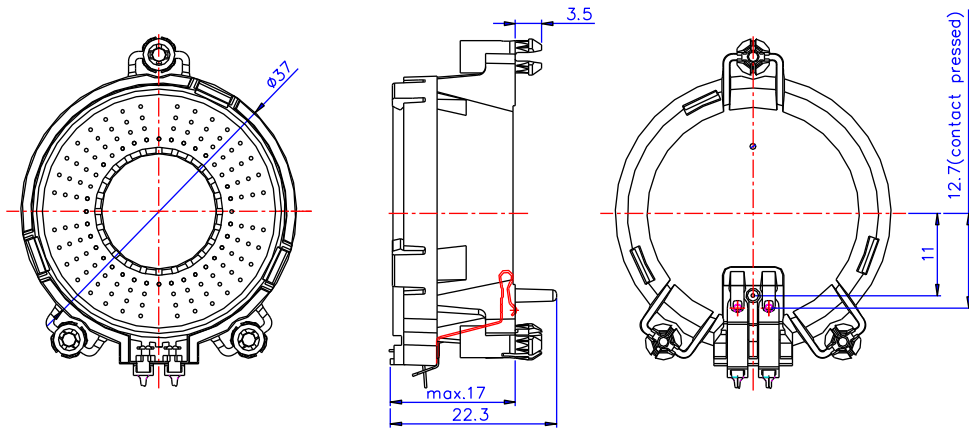
- Transducer Type : Dynamic Speaker

## 1. Electro-Acoustical SPEC

Sound Pressure Level (SPL)	101 ± 4 dB at 1 kHz	at 0.32W/0.1m on PCB ,sine wave
Rated / Max Power	0.32 W / 0.5W	
Impedance	45 Ω ± 10 %	at 2 kHz, 1Vrms
Resonance Frequency (Fo)	870 Hz ± 80Hz	at 1 Vrms

## 2. Mechanical Dimension

Dimension	Φ37.0 x T17 mm
Weight	9.0 ± 1 g



## 3. Frequency Response Curve

\* Measuring Condition [PCB Mount]  
(Square wave 0.32W, duty 50 %, at 0.1[m])

\* Measuring Condition [PCB Mount]  
(Sine wave 0.32W, at 0.1[m])

