



UNIQUE SOUND Co., Ltd

# MODEL No. : US-3616A

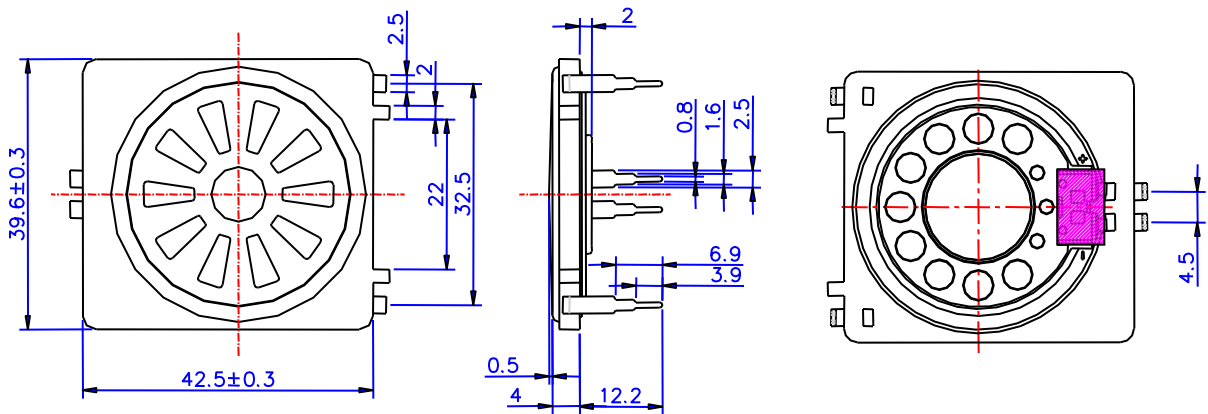
- Transducer Type : Dynamic Speaker

## 1. Electro-Acoustical SPEC

Sound Pressure Level (SPL)	80 ± 5 dB at 1k Hz	at 4Vo-p, duty 50% square wave, 1m on PCB
Rated / Max Power	0.5 W / 1.0 W	
Impedance	16 Ω ± 10 %	at 1 kHz, 1Vrms
Resonance Frequency (Fo)	600 Hz ± 20%	at 1 Vrms

## 2. Mechanical Dimension

Dimension	42.5 x 39.6 x 6.5 (Height) mm
Weight	10.5 ± 1g



## 3. Frequency Response Curve

\*Measuring Condition [PCB Mount]  
(4.0[Vo-p], duty 50 %, at 1.0[m] Square wave)

